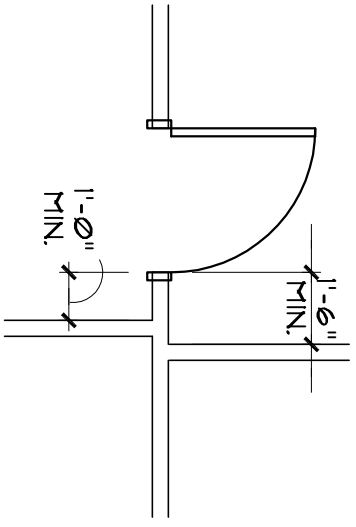
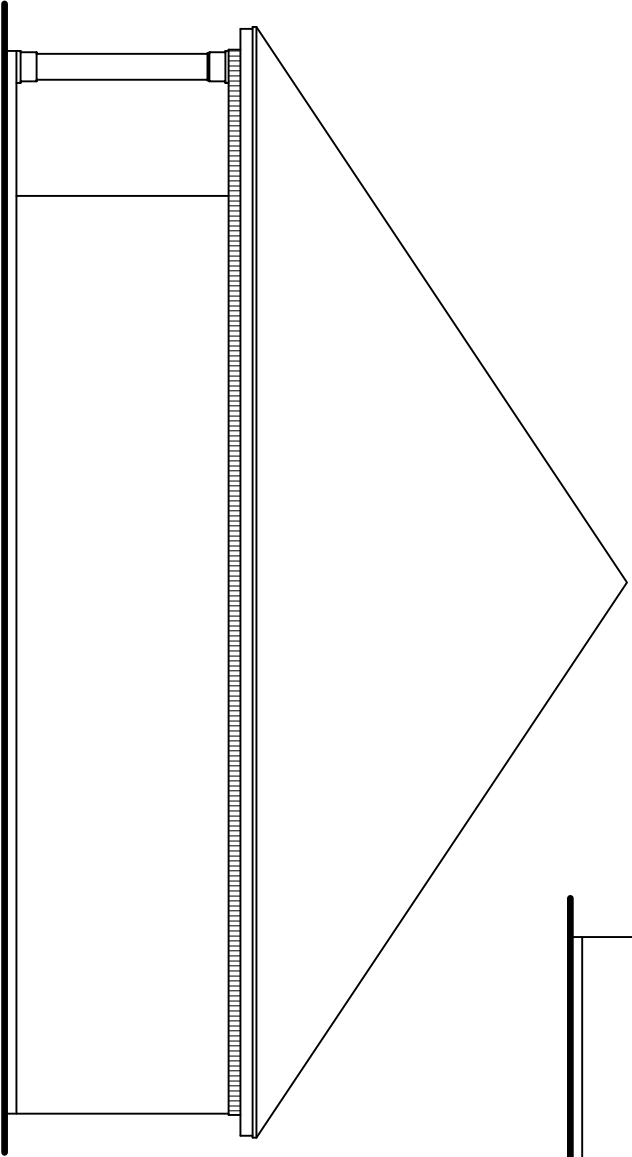


- NOTE:**
1. INSULATE PIPING AT ALL H.C. LAVATORIES
 2. CONTROLS FOR FLUSH VALVES SHALL BE MOUNTED ON THE WIDE SIDE OF TOILET STALL

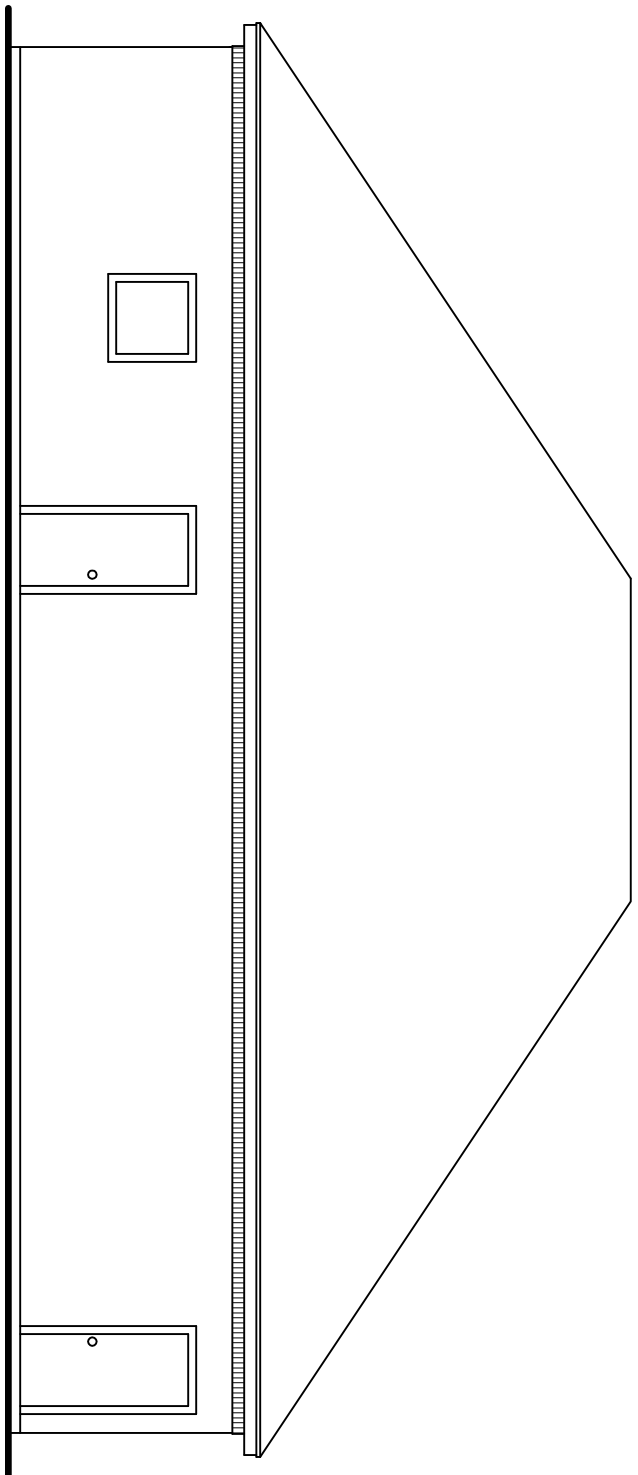
ADA/TAS REQUIREMENTS



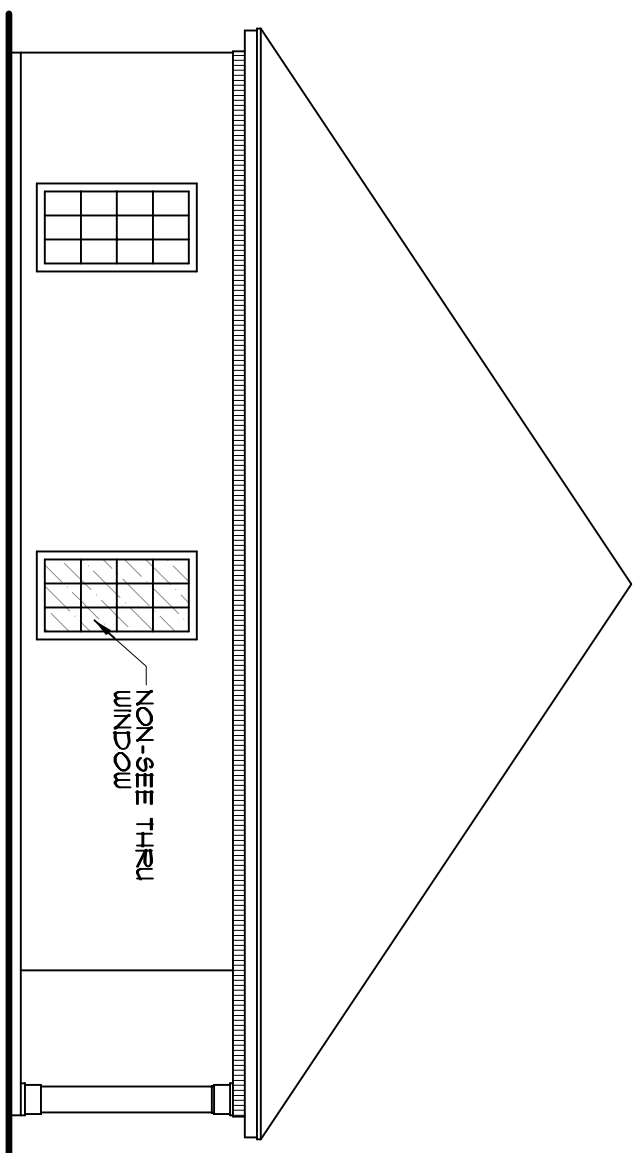
NOTE: UNLESS OTHERWISE NOTED ON DWG. MANEUVERING CLEARANCE AT DOORS



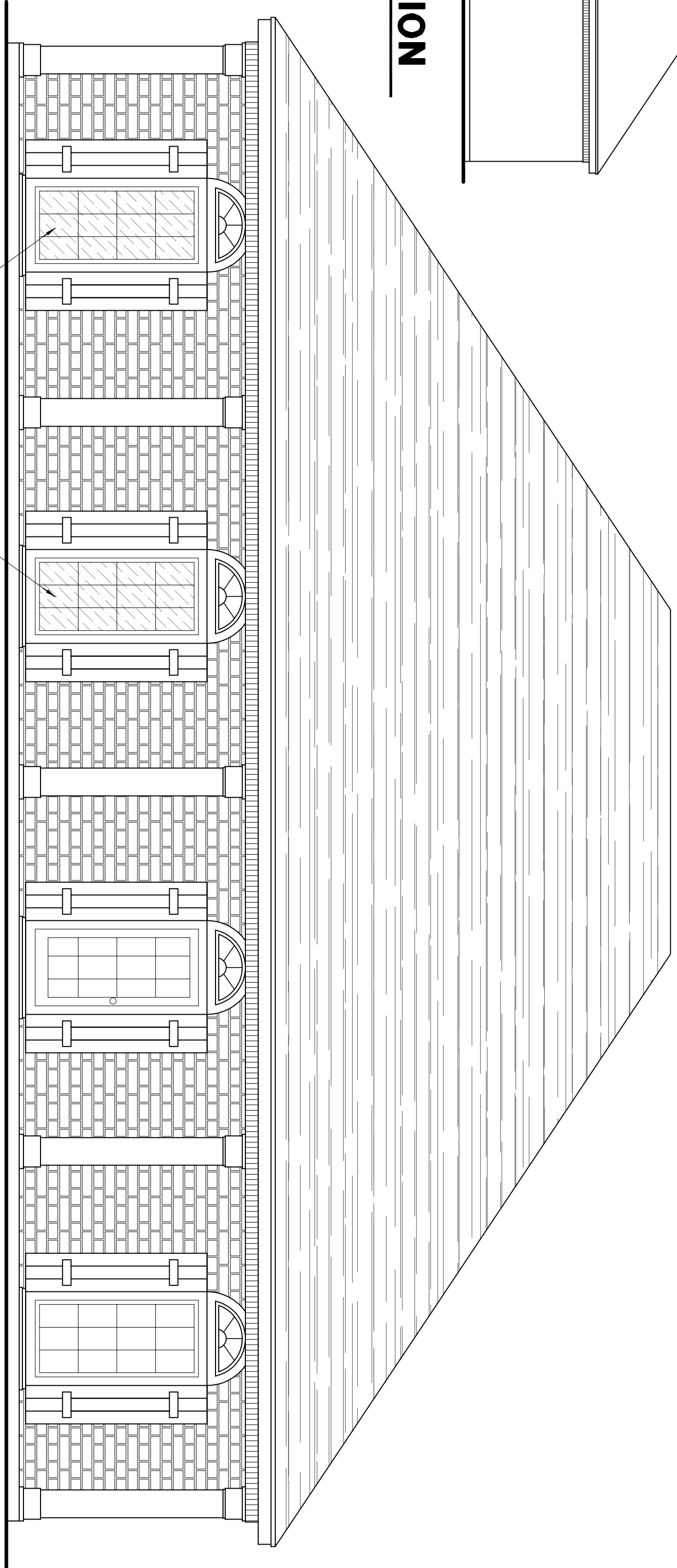
RIGHT ELEVATION
SCALE: 1/8" = 1'-0"



REAR ELEVATION
SCALE: 1/8" = 1'-0"



LEFT ELEVATION
SCALE: 1/8" = 1'-0"



FRONT ELEVATION
SCALE: 1/4" = 1'-0"

A NEW DOCTOR OFFICE



Barry & Marcy Gillbreath
1301 CRAWFORD AVE.
GRANBURY, TX 76048
817-579-8920