

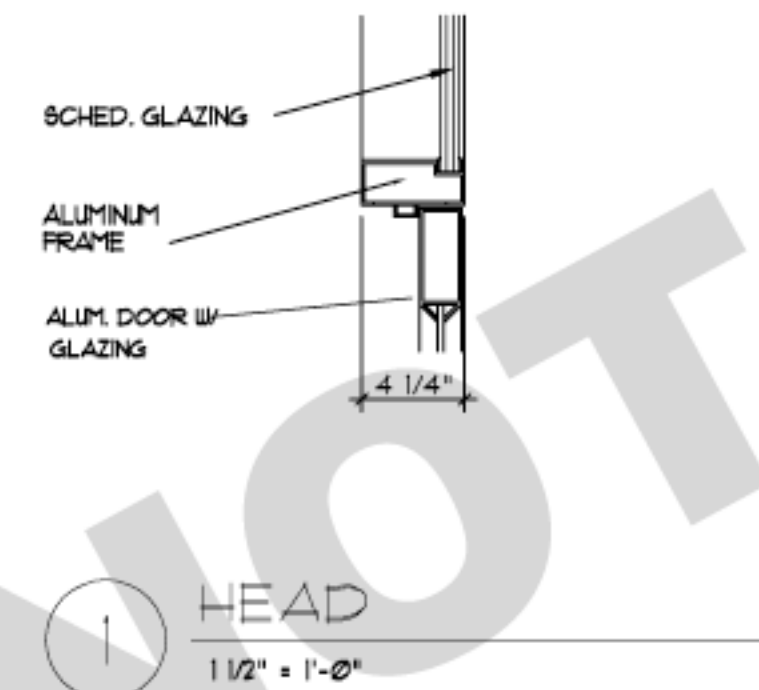
These architectural drawings have been prepared for use by the client and are for architectural design only. Civil, structural, mechanical, and other related engineering design and construction drawings will be the responsibility of the respective engineer. Compliance with the drawings will be the responsibility of the owner or his appointed general contractor. Local building codes shall be conformed to. All measurements shall be verified by the contractor performing the respective work.

STONE HILL

OFFICE LEASE SPACE BUILDING

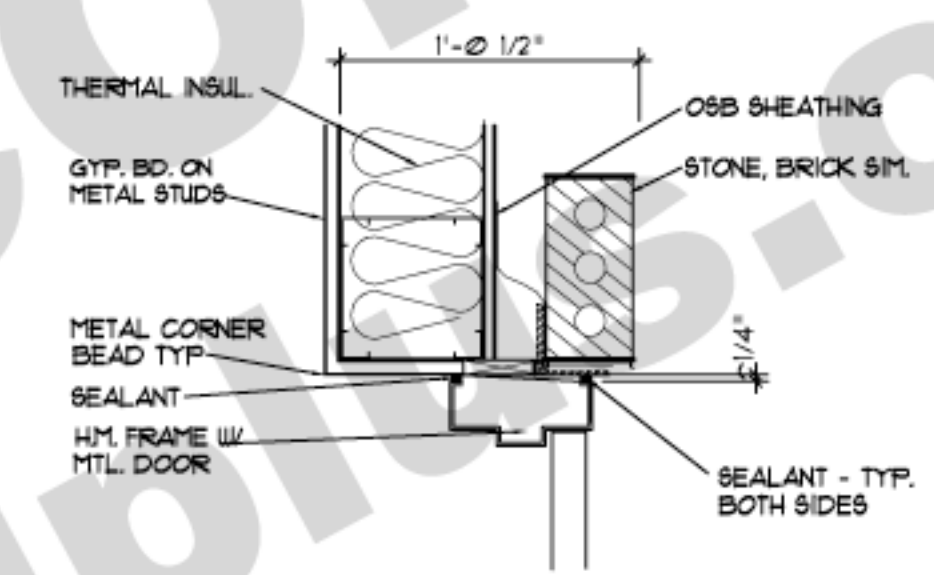
2441 EAST HWY 377

Granbury, Texas



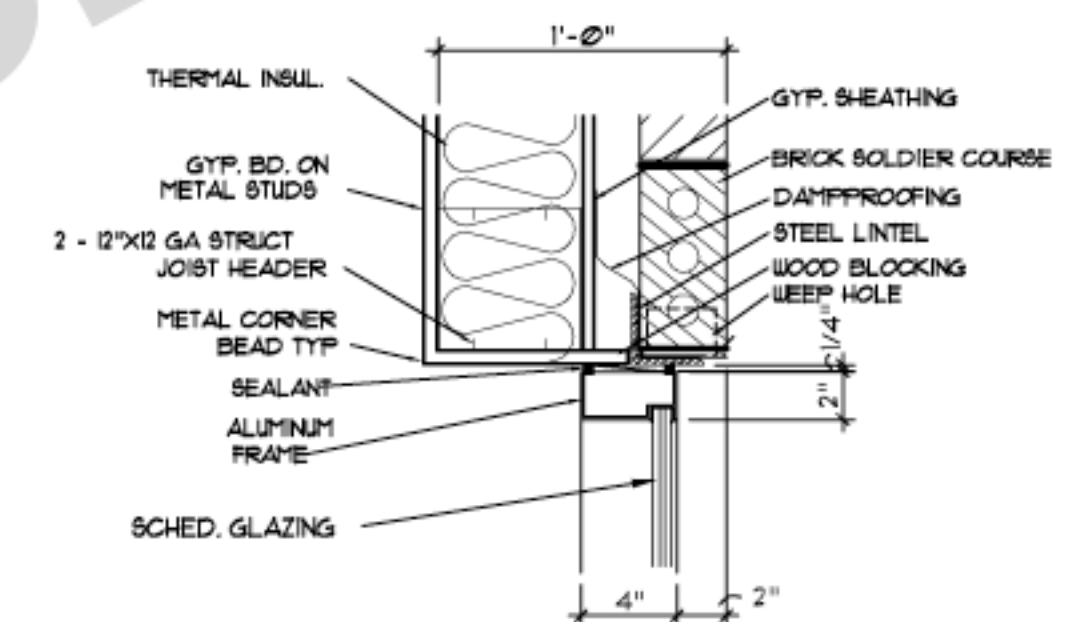
1 HEAD

 1 1/2" x 1'-0"



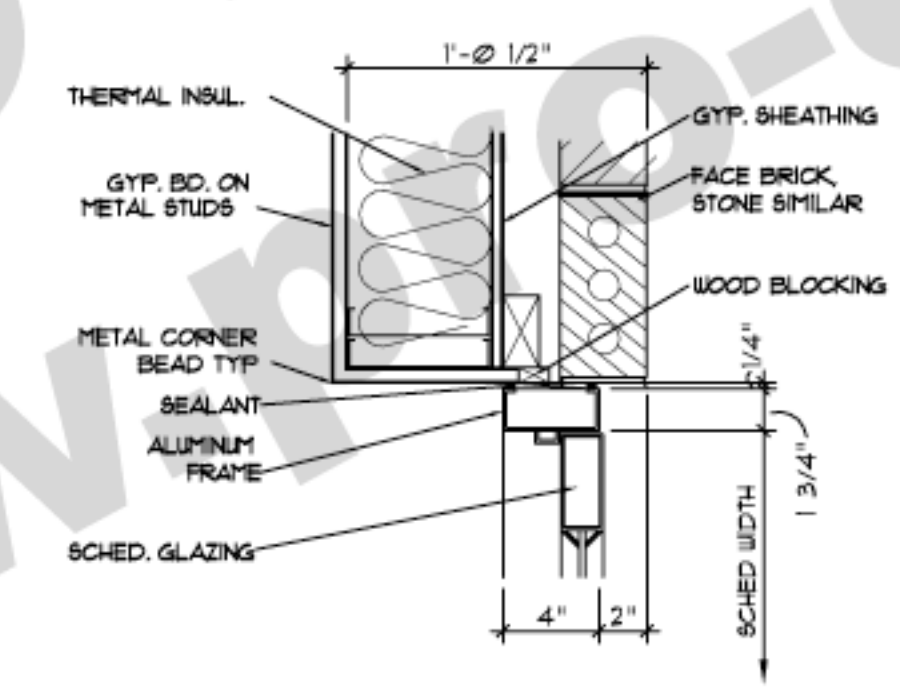
2 JAMB @ STOREFRONT SYS.

 1 1/2" x 1'-0"



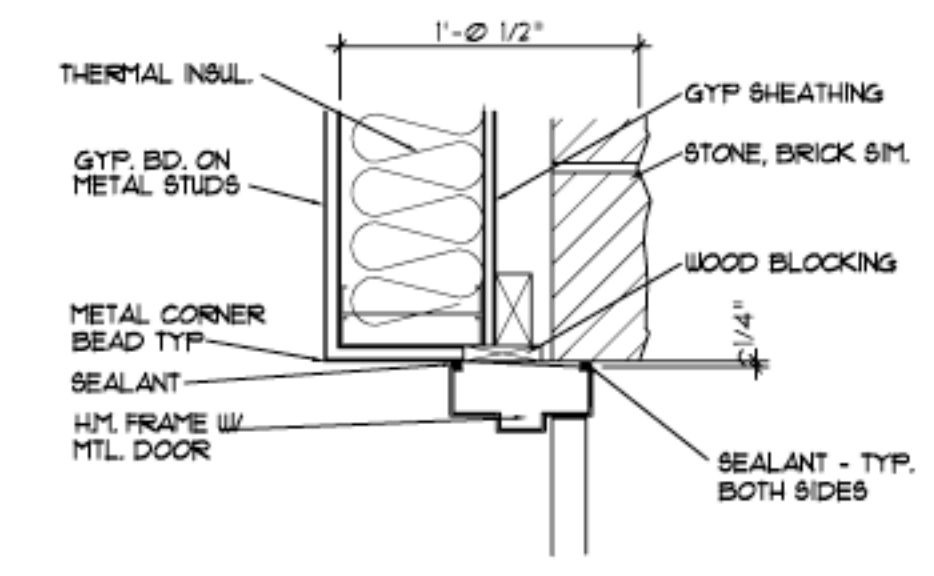
3 HEAD @ STOREFRONT SYS.

 1 1/2" x 1'-0"



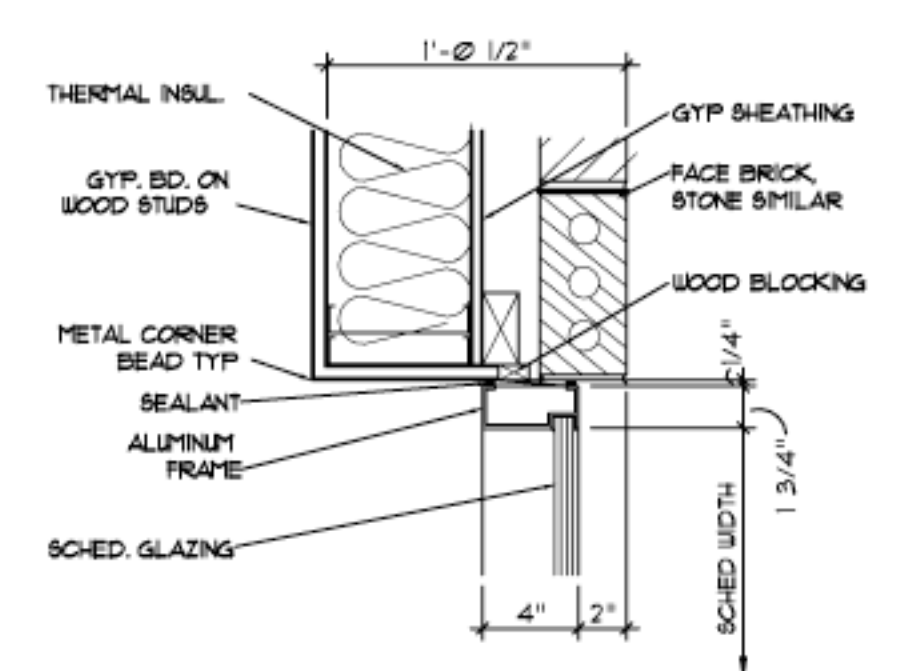
4 JAMB

 1 1/2" x 1'-0"



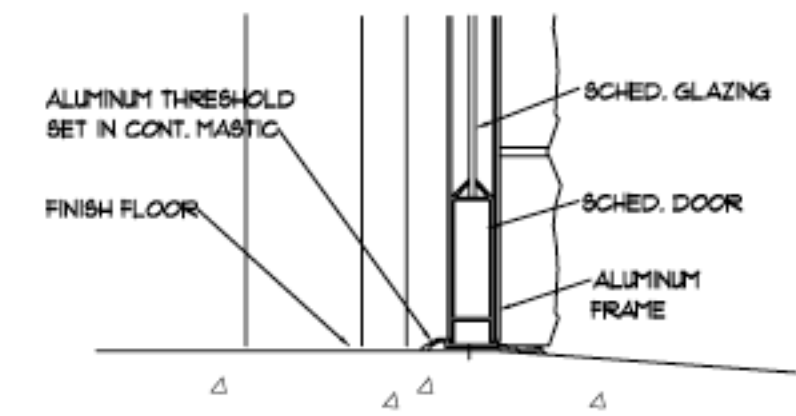
5 JAMB

 1 1/2" x 1'-0"



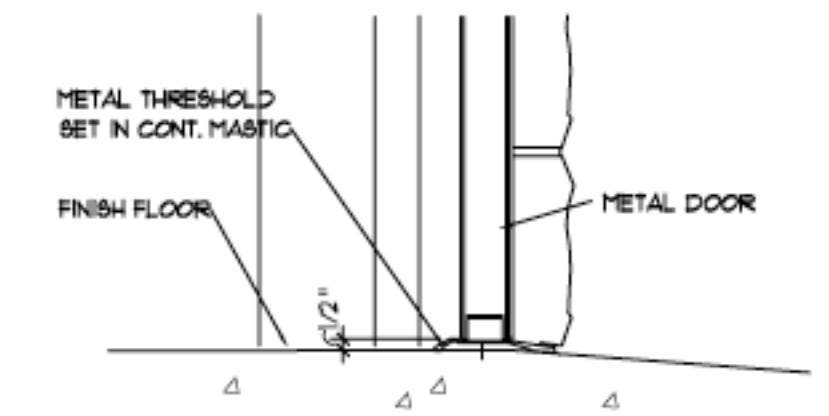
6 JAMB @ STOREFRONT SYS.

 1 1/2" x 1'-0"



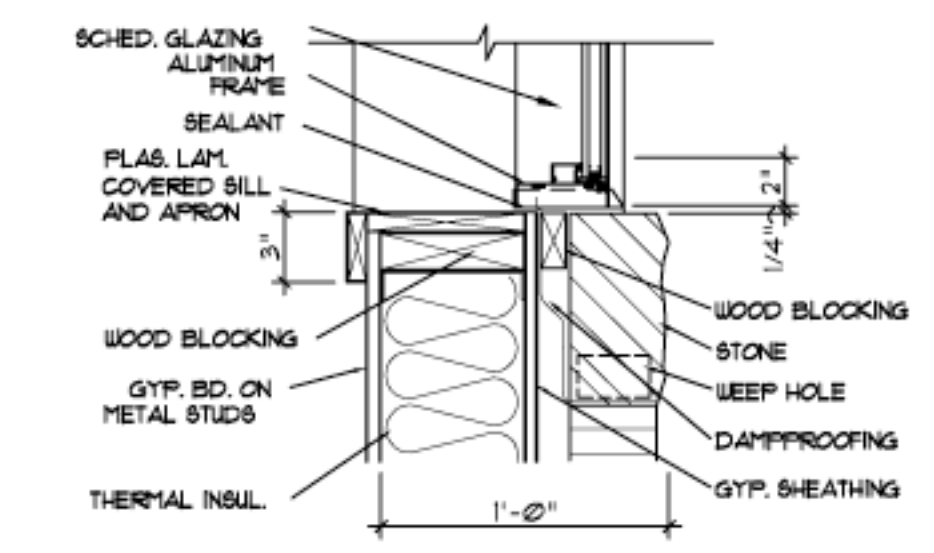
7 SILL

 1 1/2" x 1'-0"



8 SILL

 1 1/2" x 1'-0"



9 SILL @ STOREFRONT SYS.

 1 1/2" x 1'-0"

DO NOT COPY!

www.pro-cadpros.com