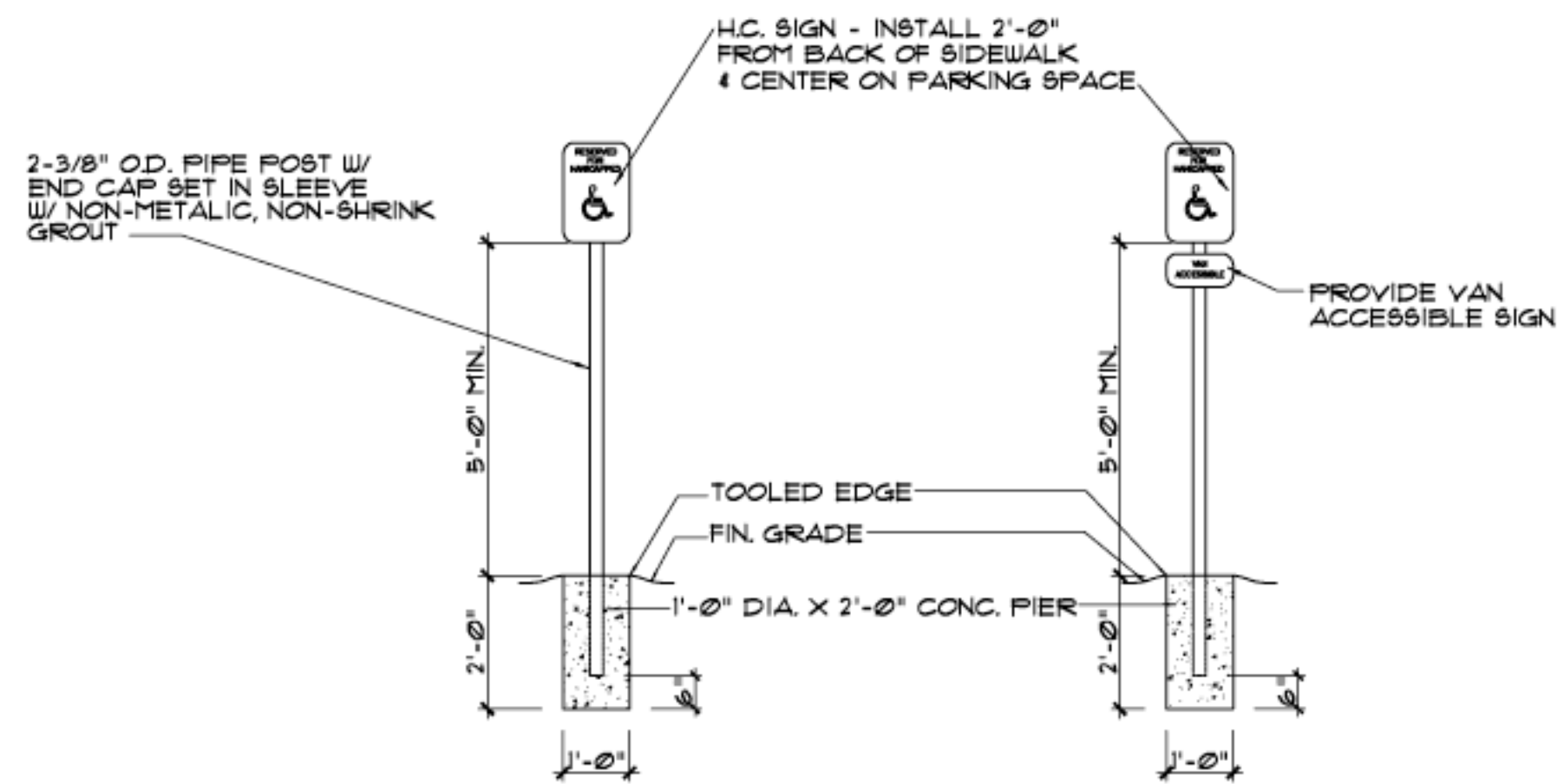


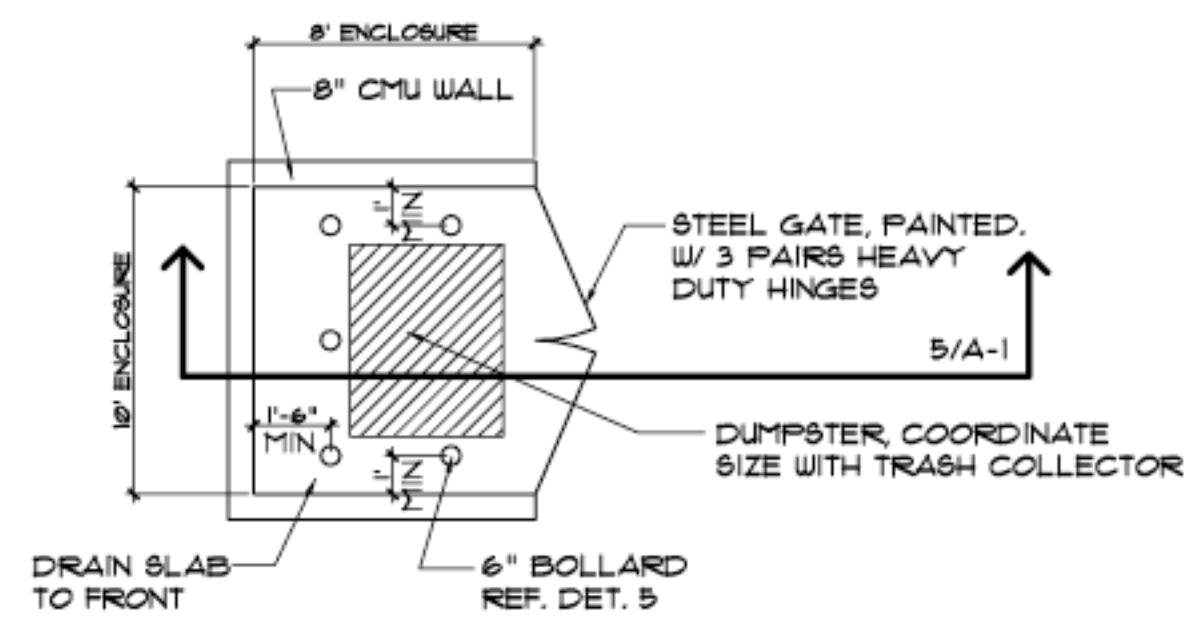
**1 H.C. PARKING**

SCALE: NOT TO SCALE



**2 H.C. SIGN**

SCALE: NOT TO SCALE

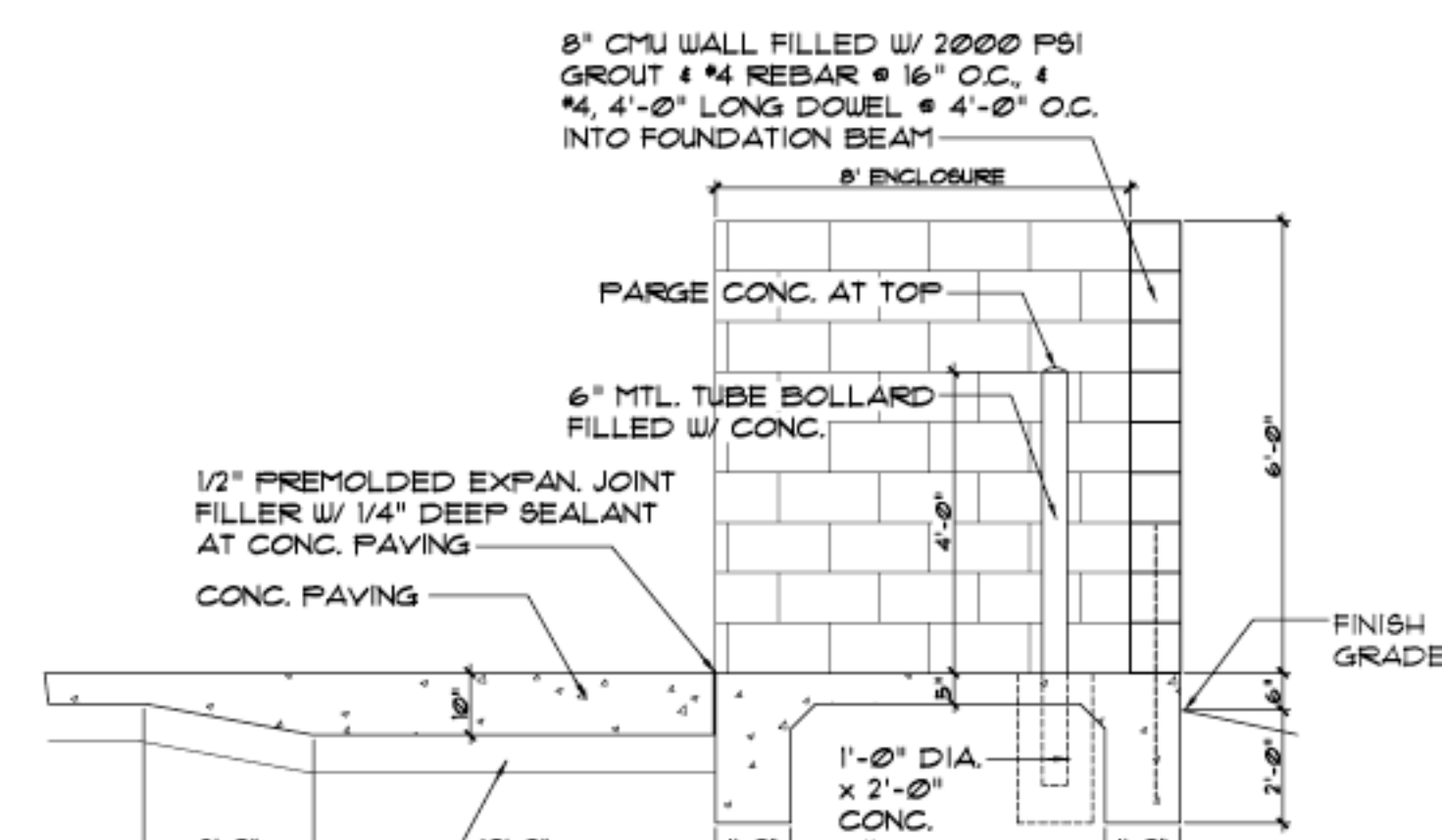


**3 H.C. SIGN**

SCALE: NOT TO SCALE

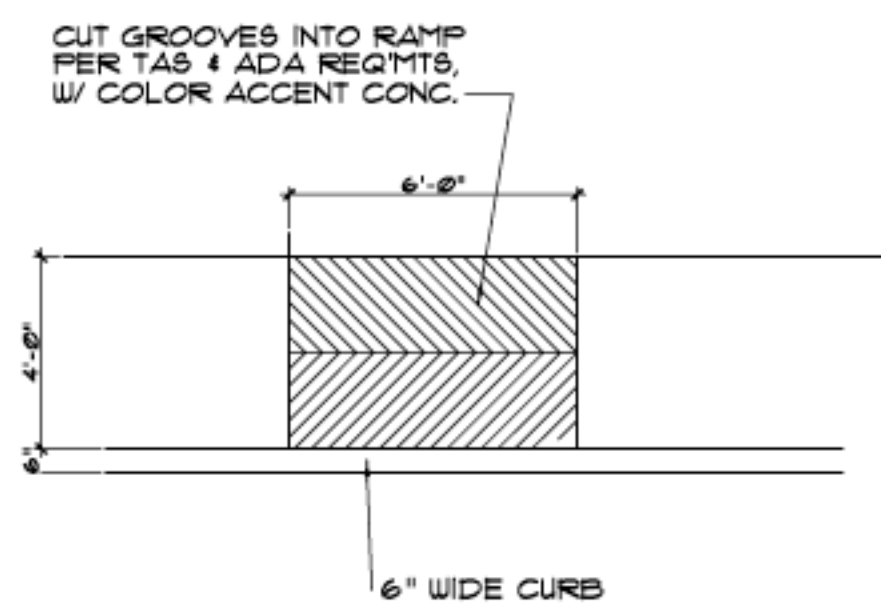
**4 DUMPSTER PLAN**

SCALE: NOT TO SCALE



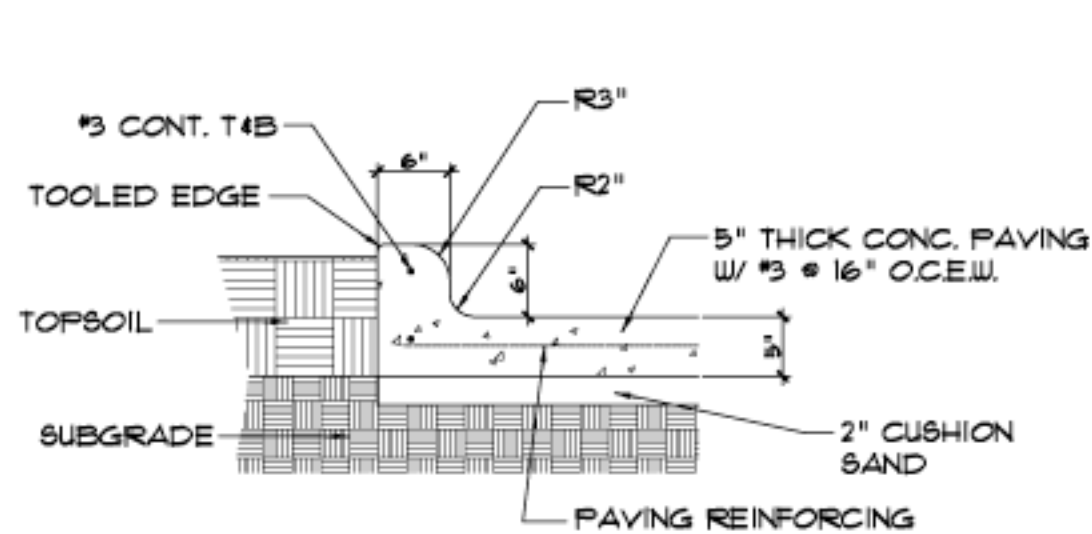
**5 SECTION**

SCALE: NOT TO SCALE



**6 CURB RAMP DETAIL**

SCALE: NOT TO SCALE



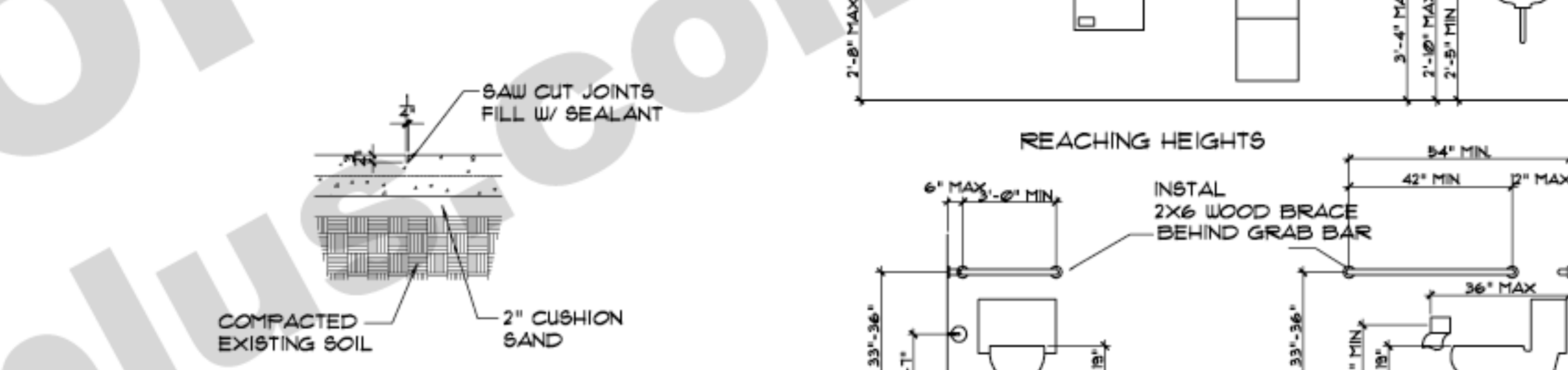
**7 CURB DETAIL**

SCALE: NOT TO SCALE



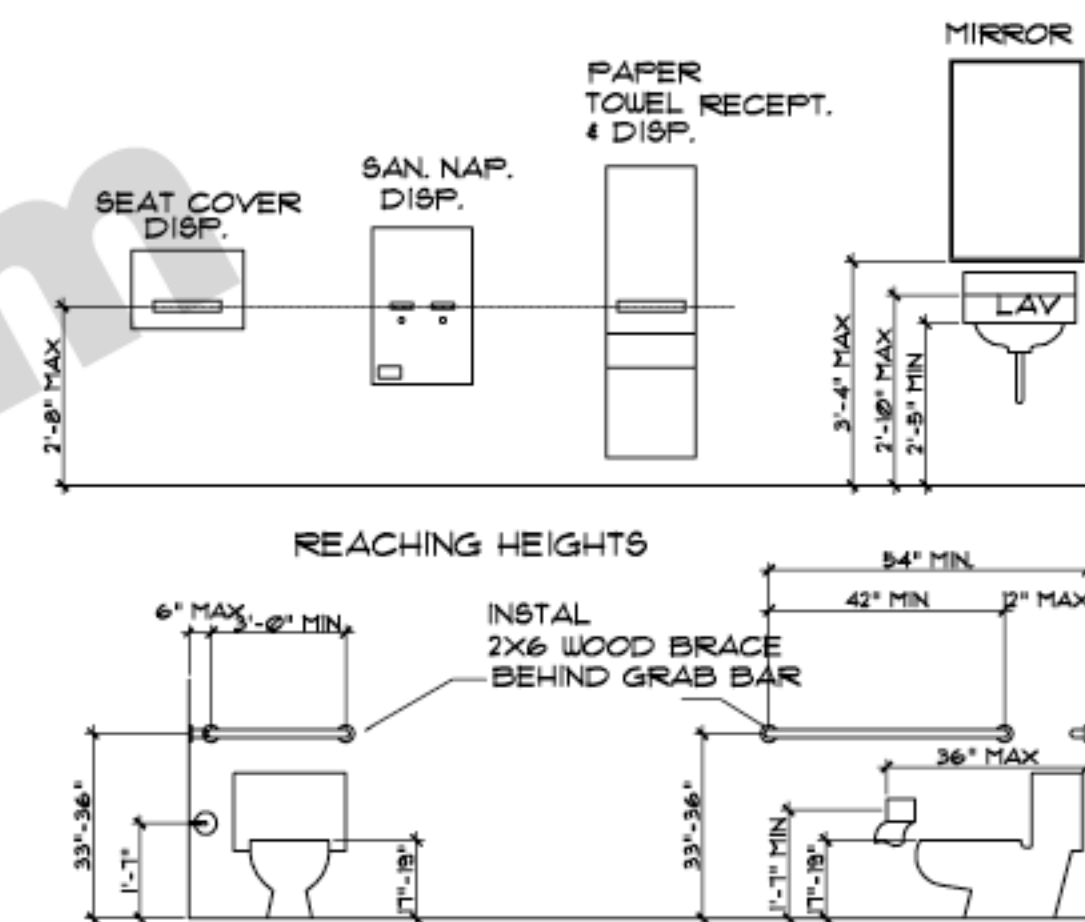
**8 EXPANSION JOINT DETAIL**

SCALE: NOT TO SCALE



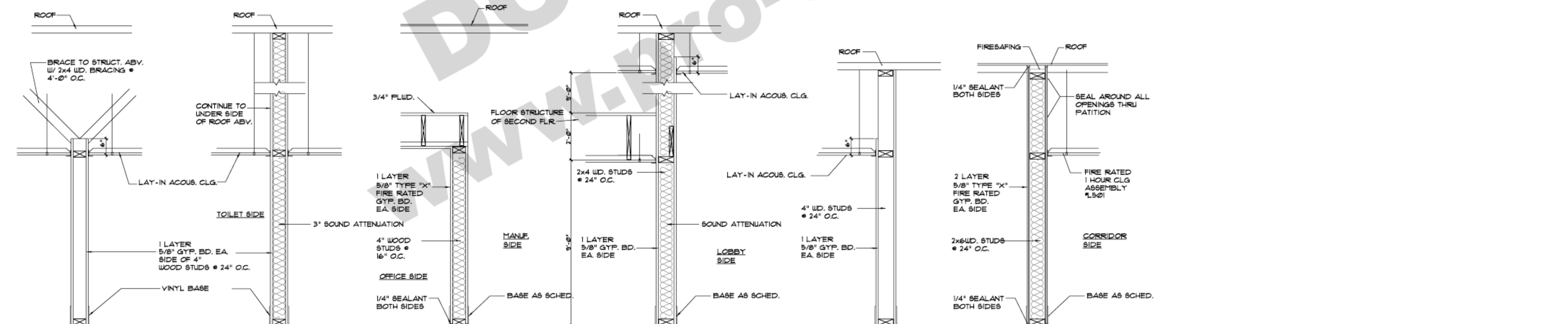
**9 CONTROL JOINT DETAIL**

SCALE: NOT TO SCALE



**H.C. TOILET FIXTURE REQUIREMENTS**

NOTE:  
1. RELATE PIPING & ALL H.C. LAVATORS & SINK  
2. CONTROLS FOR WATER CLOSETS TO BE MOUNTED ON WIDE SIDE OF ROOM



**A PARTITION B PARTITION C PARTITION D PARTITION E PARTITION F PARTITION**

**10 PARTITION TYPES**

SCALE: NOT TO SCALE

**PRO CAD+**  
Design, Drafting  
Blueprints, Consulting

*Barry and Nancy Gillbreath*  
1301 GRAVWORLD AVE.  
GRANDPRAIRIE, TX 76049  
817-579-8920

These architectural drawings have been prepared for the use of the contractor and are not to be used for any other purpose without the written consent of the design firm. The contractor shall be responsible for all other related engineering design and specifications. Compliance with these drawings will be the responsibility of the owner or his appointed general contractor. Local building codes shall be referred to. All work shall be performed in accordance with the specifications by the contractor performing the respective work.

**A NEW FACILITY**  
for  
**HARRIS COMPOSITES, INC.**

DRAWN BY: BKG	SHEET NO. A-5
DATE: 09/14/04	