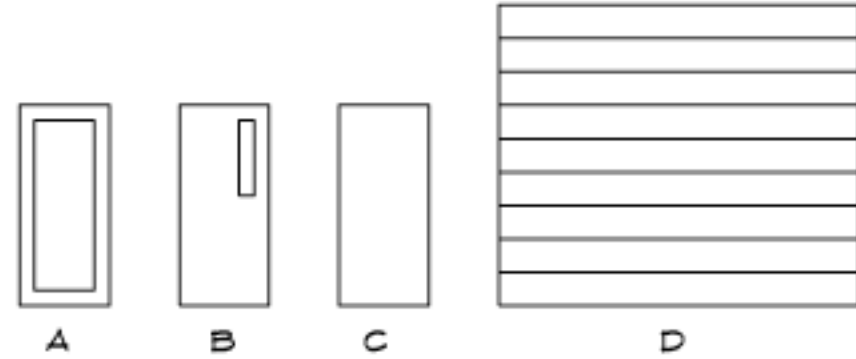
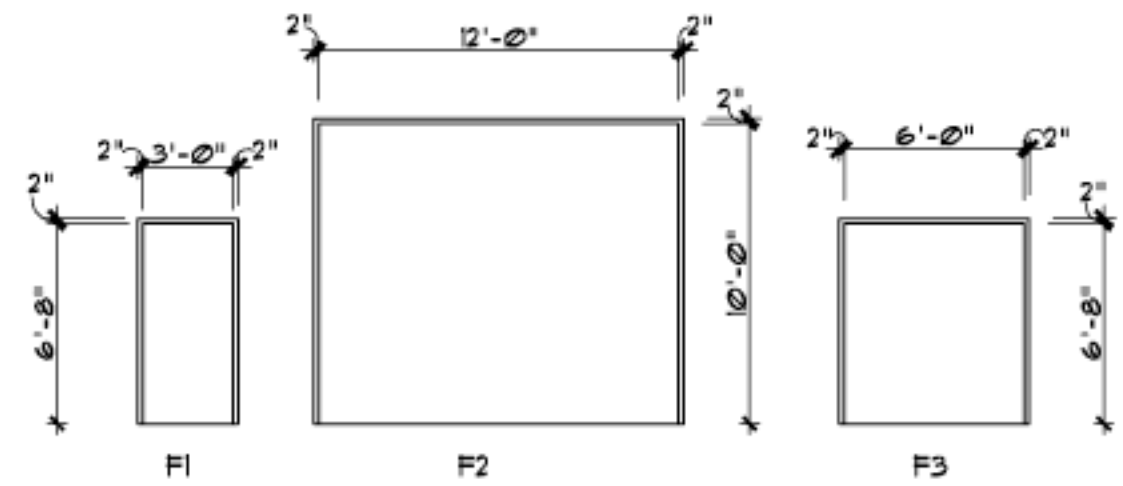


WINDOWS SCHEDULE			
MARK	SIZE	FRAME	REMARKS
A	1'-6" x 1'-0"	ALUM. - FACTORY PAINT FIN.	FIXED-STOREFRONT
B	2'-0" x 3'-0"	ALUM. - FACTORY PAINT FIN.	FIXED-STOREFRONT
C	3'-0" x 5'-0"	MTL. - FACTORY PAINT FIN.	SINGLE HUNG-DBL. INSULATED
D	PR 2'-6" x 5'-0"	MTL. - FACTORY PAINT FIN.	SINGLE HUNG-DBL. INSULATED
E	2'-6" x 5'-0"	MTL. - FACTORY PAINT FIN.	SINGLE HUNG-DBL. INSULATED
F	3'-0" x 5'-0"	MTL. - FACTORY PAINT FIN.	SINGLE HUNG-DBL. INSULATED
G	3'-0" x 5'-0"	MTL. - FACTORY PAINT FIN.	SINGLE HUNG-DBL. INSULATED
H	2'-0" x 5'-0"	MTL. - FACTORY PAINT FIN.	SINGLE HUNG-DBL. INSULATED

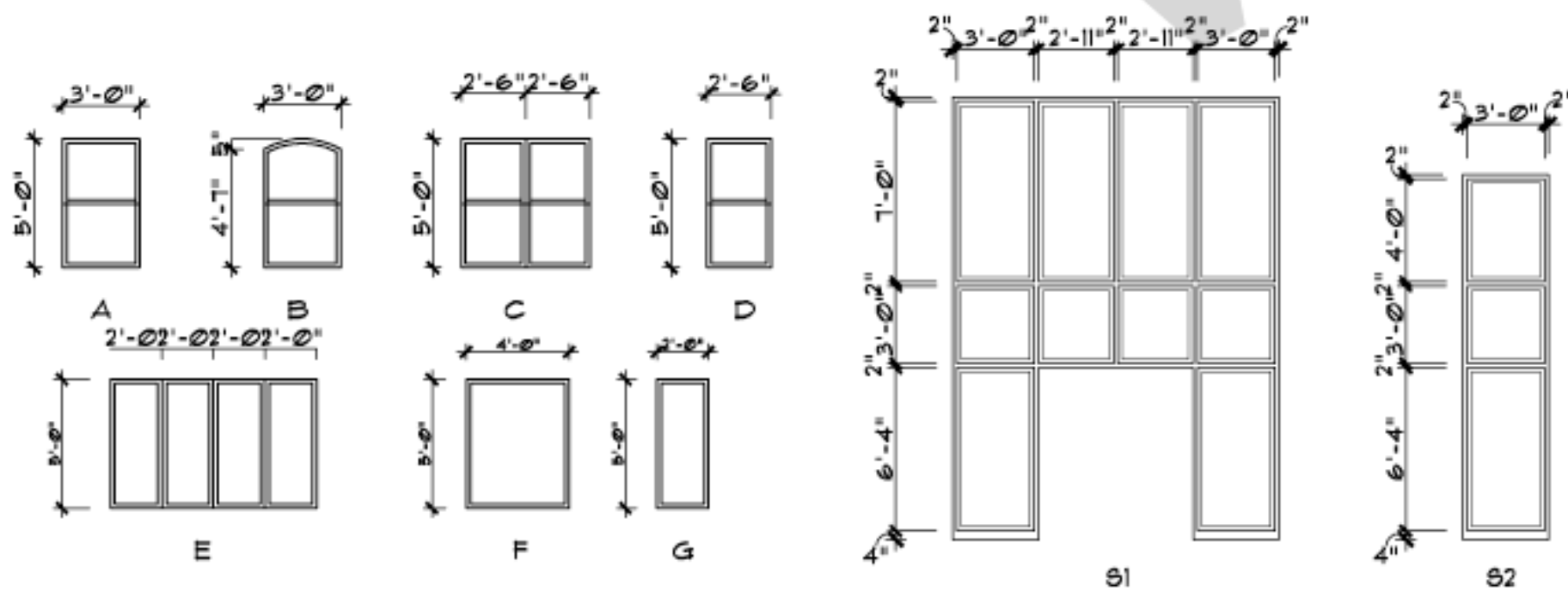
DOOR SCHEDULE					
MARK	SIZE	CORE	TYPE	MATERIAL	TYPE
101	PR 3'-0" x 6'-8" x 1-3/4"	ALUM.	A	METAL	F4
102	3'-0" x 6'-8" x 1-3/4"	HML	B	METAL	F1
103	3'-0" x 6'-8" x 1-3/4"	HML	C	METAL	F1
104	3'-0" x 6'-8" x 1-3/4"	HML	B	METAL	F1
105	3'-0" x 6'-8" x 1-3/4"	HML	C	METAL	F1
106	3'-0" x 6'-8" x 1-3/4"	HML	B	METAL	F1
107	3'-0" x 6'-8" x 1-3/4"	HML	C	METAL	F1
108	3'-0" x 6'-8" x 1-3/4"	HML	C	METAL	F1
109	PR 2'-6" x 6'-8" x 1-3/4"	HML	C	METAL	F3
110	3'-0" x 6'-8" x 1-3/4"	HML	C	METAL	F1
111	3'-0" x 6'-8" x 1-3/4"	HML	C	METAL	F1
112	12'-0" x 10'-0"	MTL.	D	METAL	F2
113	3'-0" x 6'-8" x 1-3/4"	HML	C	METAL	F1
114	PR 3'-0" x 6'-8" x 1-3/4"	HML	B	METAL	F3
115	12'-0" x 10'-0"	MTL.	D	METAL	F2
116	3'-0" x 6'-8" x 1-3/4"	HML	C	METAL	F1
117	PR 3'-0" x 6'-8"	HML	B	METAL	F3
118	10'-0" x 10'-0"	MTL.	C	METAL	F2
119	3'-0" x 6'-8" x 1-3/4"	HML	B	METAL	F1
120	3'-0" x 6'-8" x 1-3/4"	HML	C	METAL	F1
121	3'-0" x 6'-8" x 1-3/4"	HML	C	METAL	F1
122	3'-0" x 6'-8" x 1-3/4"	HML	C	METAL	F1
123	3'-0" x 6'-8" x 1-3/4"	HML	C	METAL	F1
124	3'-0" x 6'-8" x 1-3/4"	HML	C	METAL	F1
125	3'-0" x 6'-8" x 1-3/4"	HML	C	METAL	F1
126	3'-0" x 6'-8" x 1-3/4"	HML	C	METAL	F1
127	3'-0" x 6'-8" x 1-3/4"	HML	C	METAL	F1
128	3'-0" x 6'-8" x 1-3/4"	HML	C	METAL	F1
129	3'-0" x 6'-8" x 1-3/4"	HML	C	METAL	F1
130	3'-0" x 6'-8" x 1-3/4"	HML	C	METAL	F1



DOOR TYPES

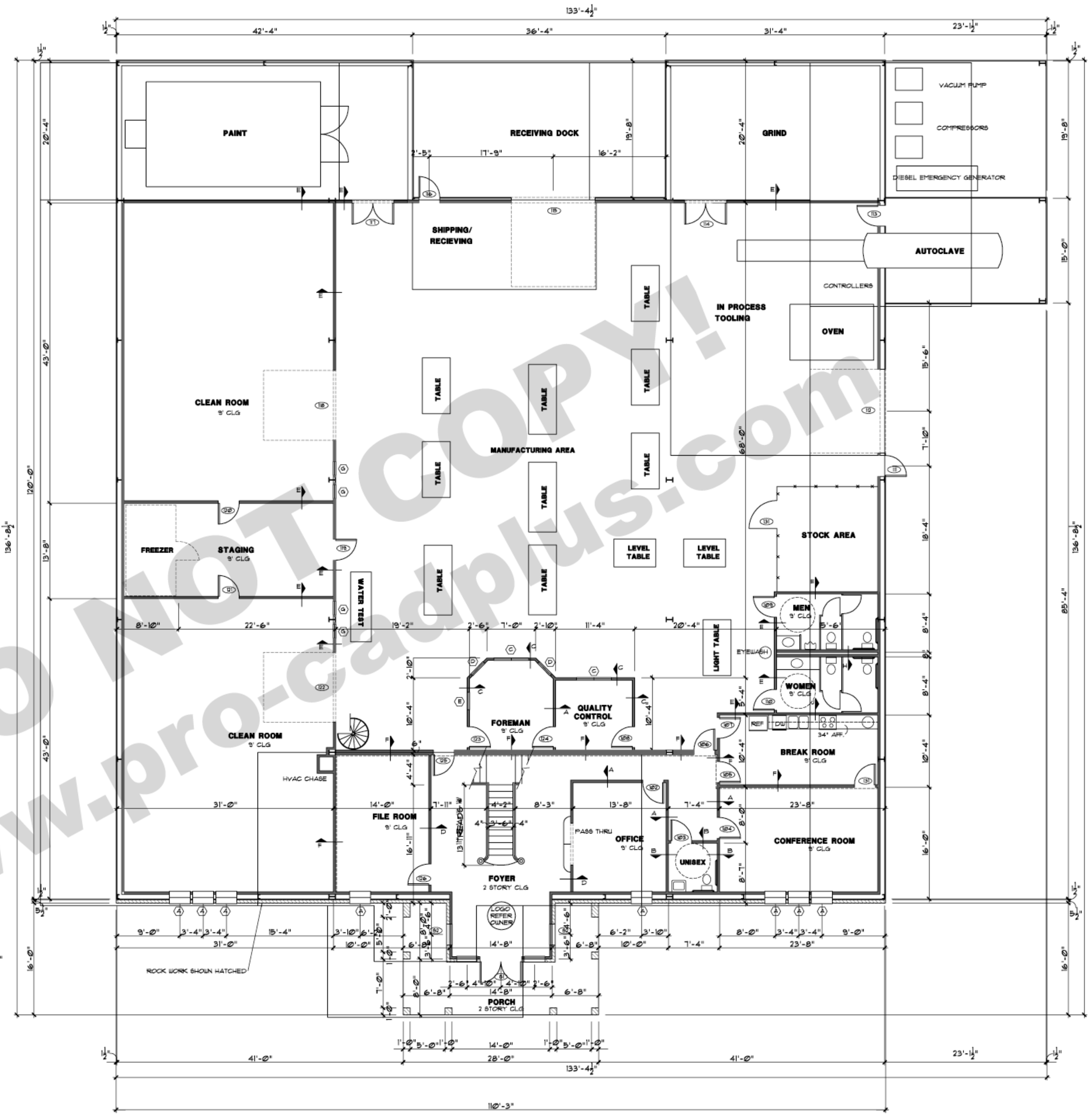


DOOR FRAME



WINDOW TYPES

STOREFRONTS



FLOOR PLAN

SCALE: 1/8" = 1'-0"

A NEW FACILITY
for
HARRIS COMPOSITES, INC.

AREA CALCULATIONS

OFFICE AREA	1,323 S.F.
2ND FLR. OFF	691 S.F.
PLANT AREA	11,397 S.F.
AUTOC./SHED	807 S.F.
PORCH	331 S.F.
DOCK	706 S.F.

TOTAL AC	11,949 S.F.
TOTAL CONC.	14,564 S.F.
TOTAL BLDG.	15,255 S.F.

SHEET NO.	
DRAWN BY:	A-2
BKG	
DATE: 06/09/05	

These architectural drawings have been prepared using the information provided for architectural design only. Civil, structural, mechanical, and other related engineering design and specifications are the responsibility of the engineer. Compliance to these drawings will be the responsibility of the owner or his appointed general contractor. Local measurements shall be verified by the contractor performing the respective work.

PRO CAD +
Design, Drafting
Blueprints, Consulting
Barry and Marcy Gilbreath
1301 CRAWFORD AVE.
GRANBURY, TX 76048
817-579-8920